



# KUSTOM FIBERGLASS LIDS

visit our website: [www.gaylordslids.com](http://www.gaylordslids.com)

## Installation Instructions for Gaylord's Kustom Lid with Type 1 Hinge

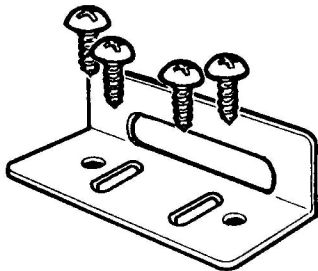
**WARNING:** If you are not familiar with the use of hand tools or are not accustomed to working on motor vehicles, have a dealer or accessory shop install the Kustom Lid. Carefully read all the instructions prior to attempting to fit the Lid. Before fitting the Lid, part the vehicle on level ground in a well lit area and apply the emergency brake. After installation, check that the Lid works correctly and securely locks shut. Periodically check all fasteners for tightness. Retighten only the loose fasteners. When using power or hand tools, always wear the correct protective clothing recommended by the tool manufacturer.

### Parts List:

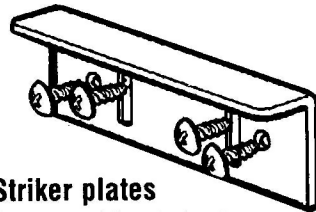
In addition to the Lid, check to make sure that you received everything listed or shown here. If any parts are missing contact your dealers or Gaylord's.



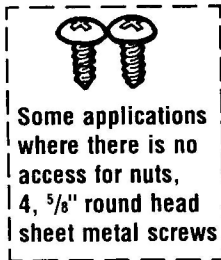
2 Lid lifter shocks



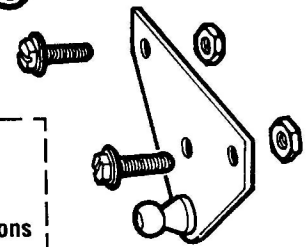
2 Front hinge plates  
8, 5/8" long round head sheet metal screws



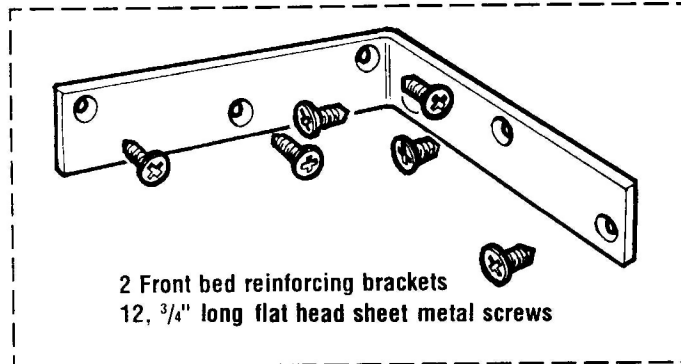
2 Striker plates  
8, 5/8" long round head sheet metal screws



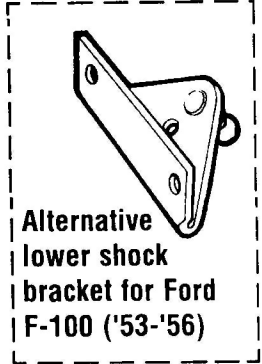
Some applications where there is no access for nuts,  
4, 5/8" round head sheet metal screws



2 Lower shock brackets  
4, 3/16" x 5/8" bolts  
4, 3/16" nuts



2 Front bed reinforcing brackets  
12, 3/4" long flat head sheet metal screws



Alternative lower shock bracket for Ford F-100 ('53-'56)

### Tools Required:

- Power Drill, AC or Cordless
- 1/16", 1/8", 3/16", & 1/4" high speed drill bits
- 2 - 3/8" combination wrenches
- 2 - 17 mm combination wrenches
- #2 Phillips head screwdriver
- Flash light
- Tape measure
- Masking tape

# 1 Marking for front hinge plates

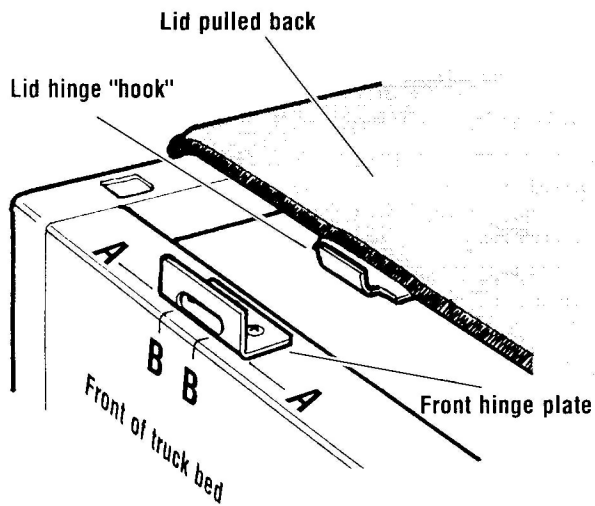
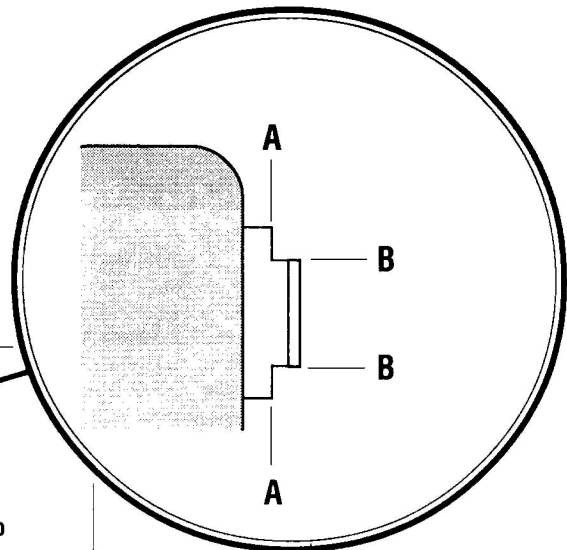
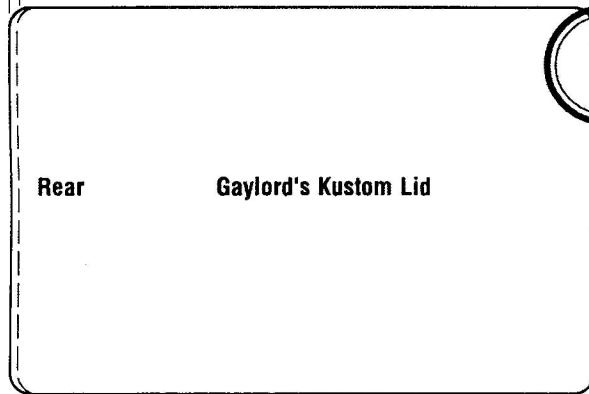
With the assistance of another person, position lid on truck bed. Lid should fit square and be evenly spaced about the truck. The rear of the lid should stick out about  $\frac{1}{4}$ " to  $\frac{1}{2}$ " away from the tailgate.

## DO NOT PUSH LID UP AGAINST THE TAILGATE.

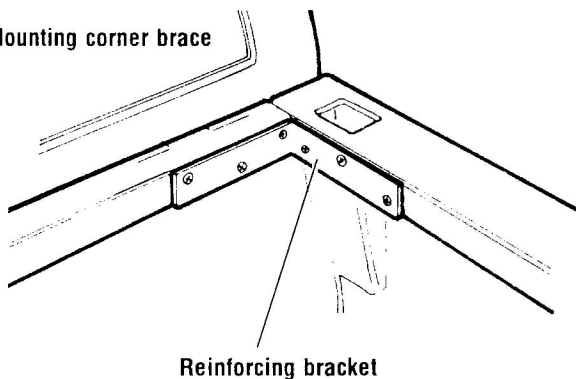
Using the hinges in the lid, mark (with pencil) the positions for the hinge plates, see diagram below and right. The "A" marks will determine the fore and aft positioning, the "B" marks determine the lateral positioning of the lid.

$\frac{1}{4}$ "- $\frac{1}{2}$ "

View from above truck



Mounting corner brace



## 2 Mounting corner brace. (See lower left diagram).

The front of the bed has to be reinforced with the brackets from the kit. Position one of the brackets as shown in the diagram, using the bracket as a guide, drill  $6 \frac{1}{8}$ " holes. Repeat for other side. Attach the brackets using the  $\frac{3}{4}$ " flat head sheet metal screws from the kit.

## 3 Mounting front hinge plates. (See left).

Slide the lid back about 2ft. Line up the hinge plate with the marks as shown in diagram. Using the hinge plate as a guide, drill  $2 \frac{1}{8}$ " holes for each plate in elongated holes. **CAUTION: MAKE SURE THE HINGE PLATES DO NOT MOVE WHILE YOU ARE DRILLING THESE HOLES.** Using the  $\frac{5}{8}$ " round head sheet metal screws, attach both hinge plates to the bed. Attaching lid to hinge plates: With the assistance of another person, lift the rear of the lid and slide forwards so lid hinge "hooks" engage in hinge plate slots. Check the fit, remove the lid and make adjustment if needed, then drill outer holes to secure bracket to bed.

### Read this before installing a Gaylord Kustom Lid on your '53-'56 Ford F-100.

Over the years, your truck may have had a few "tweaks" and need adjusting.  
A) Adjust the front bedrail so that the front of it is flush to the side rails and pushed down as low as it will go.  
B) The tailgate should be as far forward as possible, up against the stops and straight.  
After doing these adjustments, go to step 1.

## 4 Mounting shock bracket

Lift lid at back and open tail gate, lower lid to original position. With flashlight, crawl into truck bed and mark location for the lower shock brackets. Measure **BACK** from the shock bracket on the lid "X" inches, this will be the center for the lower shock bracket. (See chart for correct "X" measurement for your vehicle)

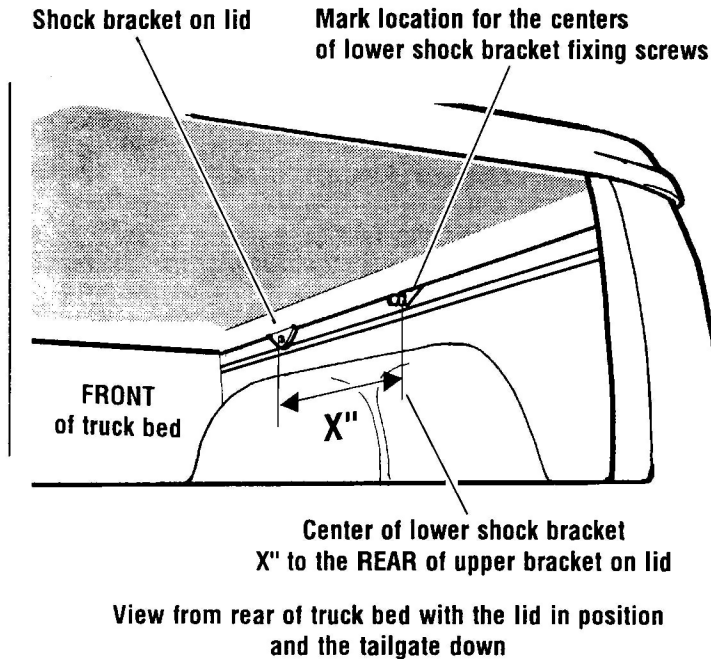
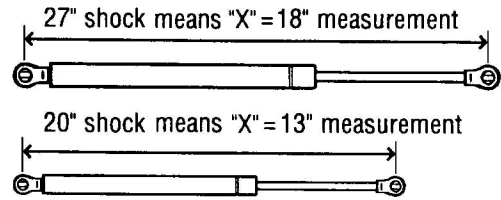
Drill 2, 3/16" holes where you marked the centers for each of the lower shock mount brackets.

Mount the lower shock brackets using the 3/16" bolts and nuts.

Attach the lift shocks to the brackets (they snap into place over the ball part of the brackets).

With the help of an assistant, lift the lid in the open position, snap the lift shocks to the brackets on the lid.

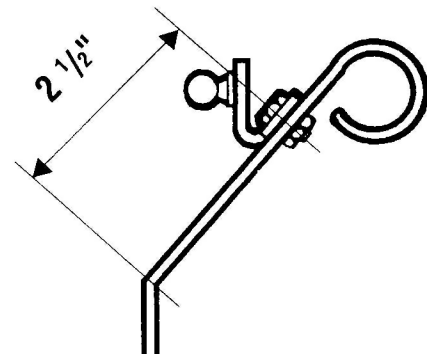
### Shock size will determine measurement:



## 4A Mounting the lower shock brackets, '53-'56 Ford F-100

Position lid on bed as described in 1. With flashlight, crawl into truck bed and mark location for the lower shock brackets. The centers of the lower shock brackets are located 18" to the rear of the shock brackets on the lid, **with the lid closed**. Remove the lid.

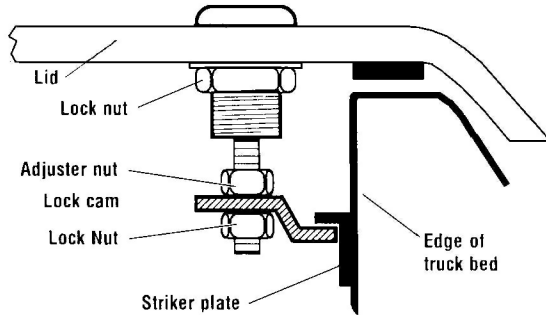
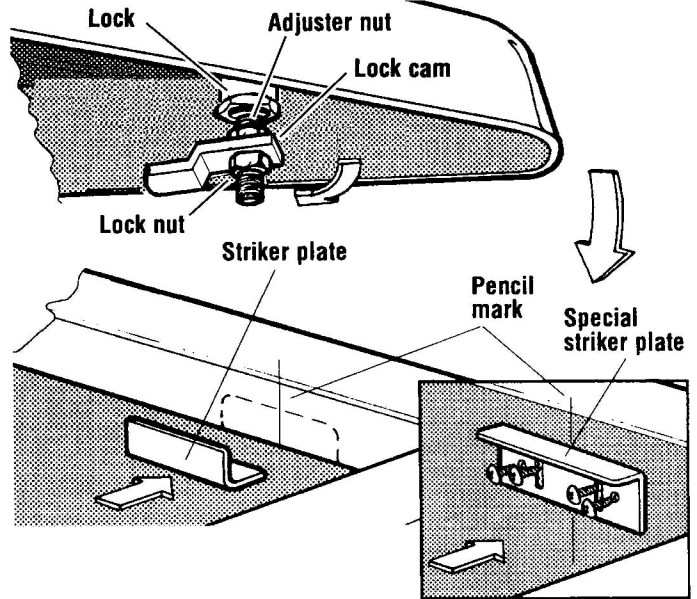
Measure up from the angle in the truck bed 2 1/2" as shown. This will give the vertical position of the bolt hole center. Position the lower shock bracket correctly, use bracket as guide to drill 2, 3/16" holes. Mount bracket using the two 3/16" bolts and nuts. Repeat for other side. Attach the lid lift shocks to the brackets (see diagram). Note: the chrome shaft end of the shock mounts to the bracket.



## 5 Mounting the lock striker plates

Open the tailgate, lower the lid with the locks in the unlocked position. When the lid is down, turn the locks to the locked position. Use a pencil to mark the center of the lock cam on both sides of the truck bed. Unlock the locks and raise the lid. Attach the striker plates to the sides of the bed with the 5/8" sheet metal screws. The center of the plate aligning with the center of the pencil mark. With the tailgate still open, lower the lid with the locks in the unlocked position. Turn the locks to the locked position and adjust the nuts so that the lock cam exerts a small amount of pressure on the striker plate. Using two wrenches, cinch up the lock nut on the lock. Repeat on the other side. Unlock and open the lid. Note: if the lock cam is not long enough to reach the striker plate or only just touches, turn the cam around on the lock, one leg is longer than the other.

With the lid open and the locks in the locked position, adjust the lock cam support so it just touches the underside of the lock cam. Using two wrenches, cinch up the lock nut on the lock cam support. Repeat on the other side. Turn the locks to the unlocked position. Close the tail gate, lower the lid with the locks in the unlocked position and check the locking and fit of the lid.



**WARNING:** The locks must always be in the unlocked position before closing the lid. Failure to do this will result in scratched paint and damage to the locks.

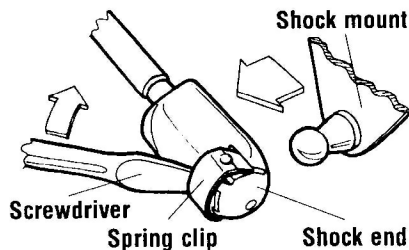
### IMPORTANT:

## 6 Check all fastenings

Check that all the fasteners are secure and that the lid operates correctly. Check the locks securely hold the lid in position. Make sure when the lid opens and closes, it does not scrape against any of the vehicle body work. You are now ready to enjoy the benefits of a Gaylord's Kustom Lid!

### Lid removal

Gaylord's Kustom Lids are designed to be easily removed. With the lid open, detach the shock ends from the shock brackets (see diagram). With the help of an assistant, continue lifting lid until it detaches from the front hinge brackets.



### Removing lift shocks from shock mounts

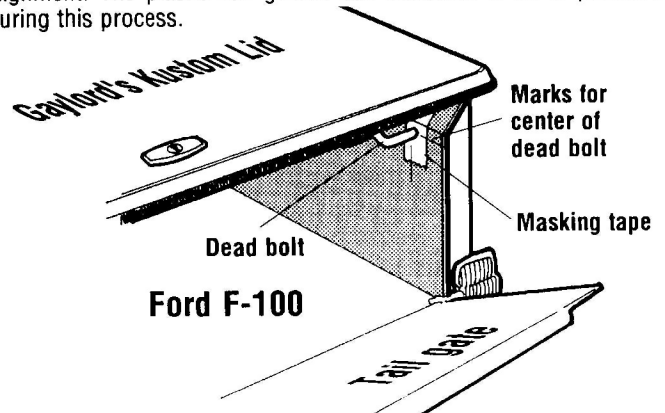
Use screwdriver blade to lift spring clip away for the shock end (do not totally remove clip). Pull shock end away from shock mount, release the spring clip.

## 5A Ford F-100s, drilling Dead Bolts Holes

Raise the Kustom Lid And lower the tailgate. Close the lid. Looking from the inside, locate where the lock dead bolts strike the sides of the bed. Use masking tape and mark on the tape the centers of the dead bolts. Raise the lid and using a 3/16" drill, drill a hole in the center of each mark. Open this hole up with a 1/2" diameter drill. The center of the hole should be a bout 9/16" from the top of the post hole.

Tap the plastic inserts into the holes.

Close the lid with the tail gate down and check the lid securely bolts down. The dead bolt rods can be bent to adjust for any slight misalignment. The plastic rod guides can withstand a lot of pressure during this process.



### WARNING!

This truck lid can be hazardous if installed or operated incorrectly

Read the instructions prior to installing or operating the lid.

SEVERE INJURY can result if you do not follow these instructions and warnings. Please read this carefully.

- Always open truck lid fully before reaching into truck bed. The truck lid may accidentally close on you if truck lid is not fully open.
- Always have the truck lid closed and locked while vehicle is in motion. The wind draft may force truck lid open and may cause truck lid to disengage from the vehicle.
- Always have the truck lid closed and locked when vehicle is being towed. The wind draft may force truck lid open and may cause truck lid to disengage from the vehicle.
- Never place or install small items on top of truck lid.