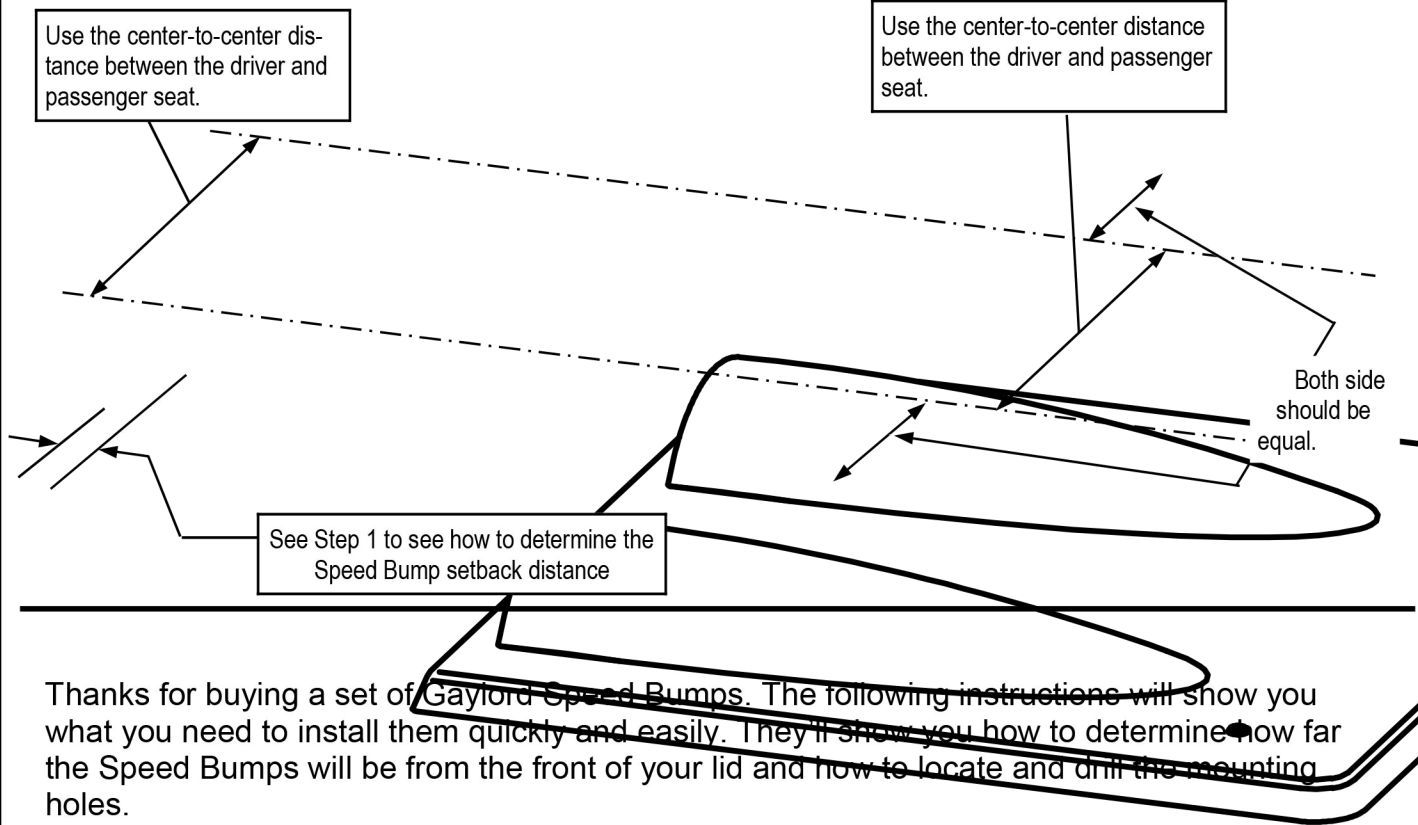




# KUSTOM FIBERGLASS LIDS

visit our website: [www.gaylordslids.com](http://www.gaylordslids.com)

## Speed Bumps Installation Instructions



Thanks for buying a set of Gaylord Speed Bumps. The following instructions will show you what you need to install them quickly and easily. They'll show you how to determine how far the Speed Bumps will be from the front of your lid and how to locate and drill the mounting holes.

The Speed Bumps are mounted to the lid with screws from the underside. NOTE: The Speed Bumps do not make a watertight seal against the lid. If you want the space to be watertight you'll need to apply a bead of caulking compound between the Speed Bump's bottom flange and the lid.

You'll need the following items to do the job:

1. Powered screw driver with #2 Phillips tip
2. 1/4" drill bit
3. 1/8" drill bit
4. Masking tape
5. Marker
6. Caulking Compound (optional)

- Supplied hardware for each Speed Bump:
1. Four #10 x 2-1/2" long wood screws.
  2. Two # 10 x 2" long wood screw
  3. Six #10 finishing washers.

# Speed Bump Installation Instructions

GIS-015—4/2002

**1A** Place the Speed Bump on the lid behind the driver's seat so that when the lid is fully opened, the top of the Speed Bump is  $3/4"$  -  $1"$  away from the rear window. See figure 1A. Mark the location of the front edge of the Speed Bump on the lid with masking tape.

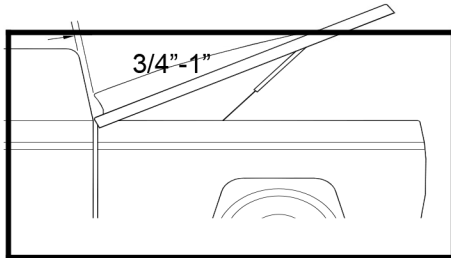


Figure 1A

**1B** The Speed Bumps may interfere with the removal of the lid. If you think this is a problem, repeat Step 1A but disconnect the gas shocks and make sure the lid is fully opened.

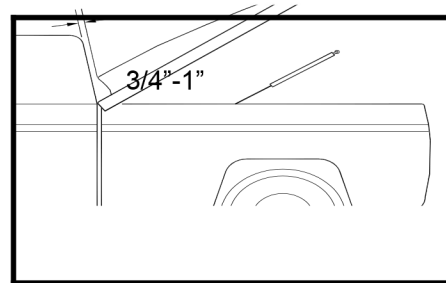


Figure 1B

**2** Mark the location of the rear hold down block and the wooden strips on the side of the Speed Bumps. Use masking tape as shown in figure 2. You **MUST** do this before Step 3. Write on the masking tape. **DO NOT** write on the Speed Bumps or the lid.

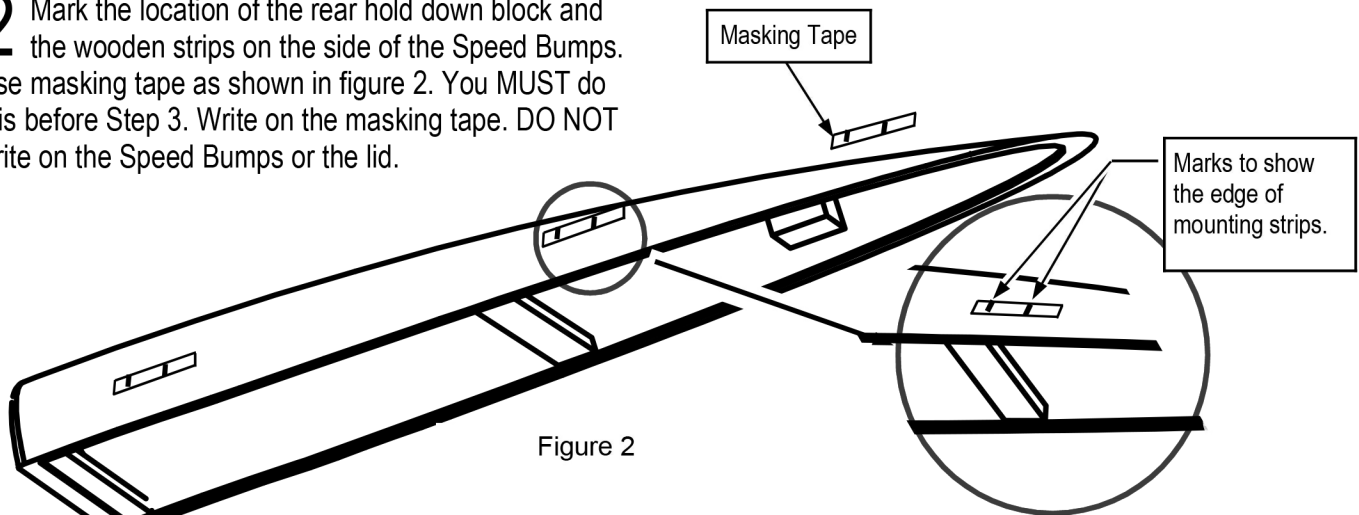


Figure 2

**3** Place the Speed Bumps on the lid. Once you are satisfied with the side to side location, mark their location with several pieces of masking tape. Place the tape next to the marked masking tape from Step 2. Transfer the marks from the side to the masking tape on the lid as shown in figure 3. You'll use these marking to locate the  $1/4"$  diameter mounting holes in the lid.

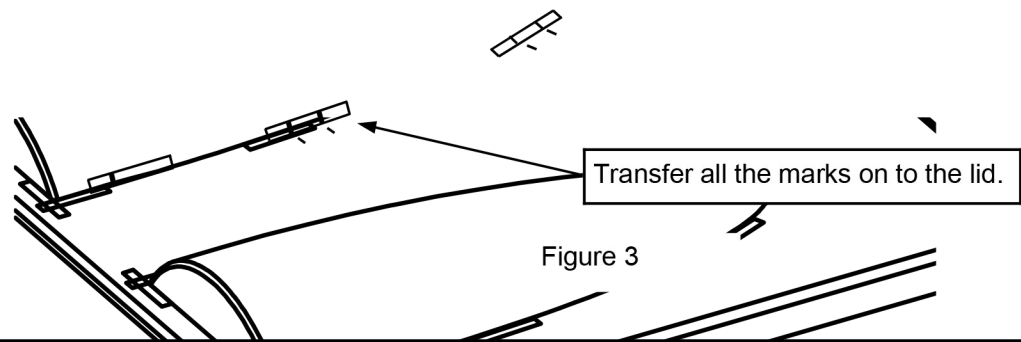
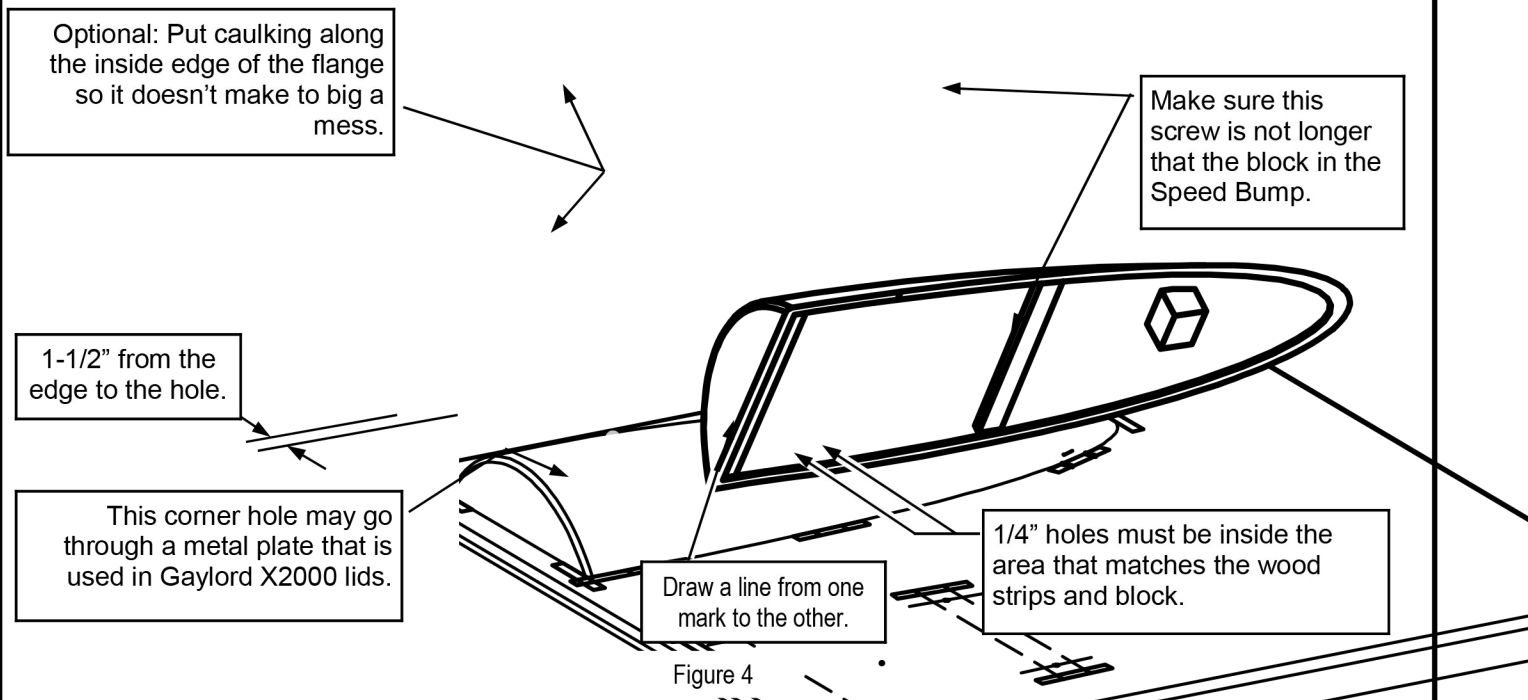


Figure 3

# Speed Bump Installation Instructions

GIS-015—4/2002



- 4** After you've completed Step 3, remove the Speed Bump. Draw lines from one mark to the mark on the other side. The holes must be made inside this area. Drill the 1/4" diameter mounting holes about 1-1/2" from the tape and centered between the two lines.

To locate the hole for the rear block, measure from the side of the Speed Bump to the edge of the block and mark that distance on the lid. Also mark the width of the block on the lid. The rear hole needs to be centered in this area.

**NOTE:** Be careful when you drill through a carpeted lid because the tip of the drill will grab the carpet and spin it and bunch it up.

- 5** Push the rear screw up through the hole. Measure how much of it sticks up from the top of the lid. Make sure you don't have more screw length than Speed Bump height in that location. Trim or cut it shorter if needed.

- 6** Pre-drill holes in the wood strips so the screws go in easier. Drill 1/8" holes through the wooden strips and block. Place and hold down the Speed Bump on the lid and drill through the 1/4" mounting holes into the wood. Be careful you DON'T drill completely through the rear mounting block.

- 7** Put the Speed Bump on the lid and use the finishing washers under the heads of the screws and tighten them up. The screws will draw the parts together and the gap will close. If you want the installation to be watertight use a caulking compound under the lip of the Speed Bump.

Congratulations! You're finished.