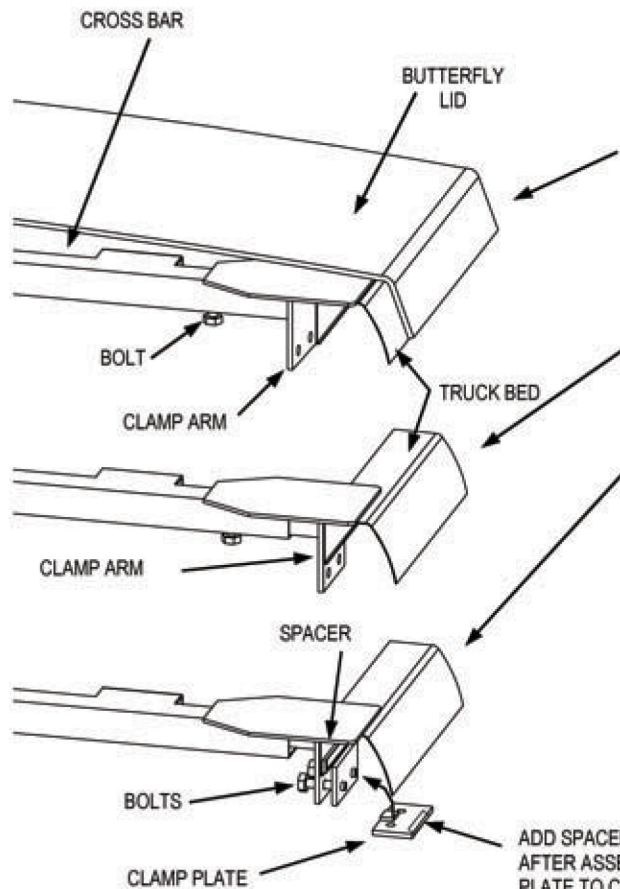
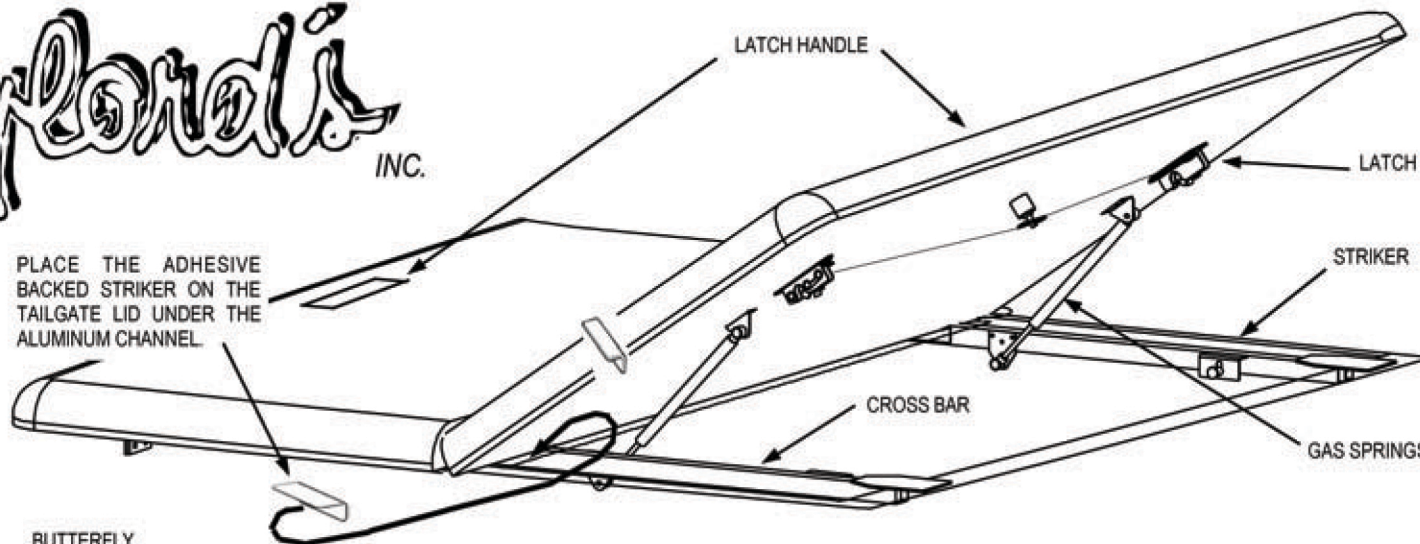


New Style Adj. X Bars

Gaylord's
INC.

BUTTERFLY LID INSTALLATION INSTRUCTIONS

PLACE THE ADHESIVE
BACKED STRIKER ON THE
TAILGATE LID UNDER THE
ALUMINUM CHANNEL.



Step 1 Butterfly Lid Installation. Before you place the Gaylord's Butterfly Lid on to your truck bed make sure that the CLAMP ARMS are NOT extended. If need unloosen the bolt and push them into the CROSS BARS. Place the lid onto your truck bed and adjust the Butterfly Lid so that it fits evenly all the way around.

Step 2 Clamp adjustments. Open one side of the Butterfly Lid. Loosen and move the CLAMP ARM so that it touches the inside of the bed.

Step 3 Clamp Plate installation. The ALUMINUM SPACER is attached to the CLAMP PLATE after the bolts and the CLAMP PLATE are installed. Place the ALUMINUM SPACER inside the bedrail with the adhesive tape exposed so that it will stick to the CLAMP PLATE after the CLAMP PLATE put on.

Step 4 Tightening the bolts. First tighten the bolts that hold the CLAMP PLATE. This will move the CLAMP ARM towards the bed rail. Next tighten the bolt that holds the CLAMP ARM in the CROSS BAR. Tighten the bolts so that they are snug.

After you repeats Steps 2, 3, & 4 for the other three CLAMP ARMS & CLAMP PLATES, then tighten all the bolts firmly.

ADD SPACER IN THIS AREA
AFTER ASSEMBLING CLAMP
PLATE TO CLAMP ARM.

FATAL MOTORSPORTS

3040 N Simmons St #102, North Las Vegas, NV 89032 (702) 363-9779

**KUSTOM FIBERGLASS LIDS**visit our website: www.gaylordslids.com**Installation Instructions for
Gaylord's Kustom Butterfly Lid
"Old Style Screw-Clamp"**

Gaylord's Kustom Butterfly Lid is pre-assembled. Follow these easy steps to install it on to your truck bed. **Make sure the two Lids are closed and the latches are locked before you begin.**

1 Remove the Wing Knob Bolt and Clamp from each end of the two Crossbars. The 4 Clamps must be removed in order to install the Butterfly Lid. See the illustration at the right.

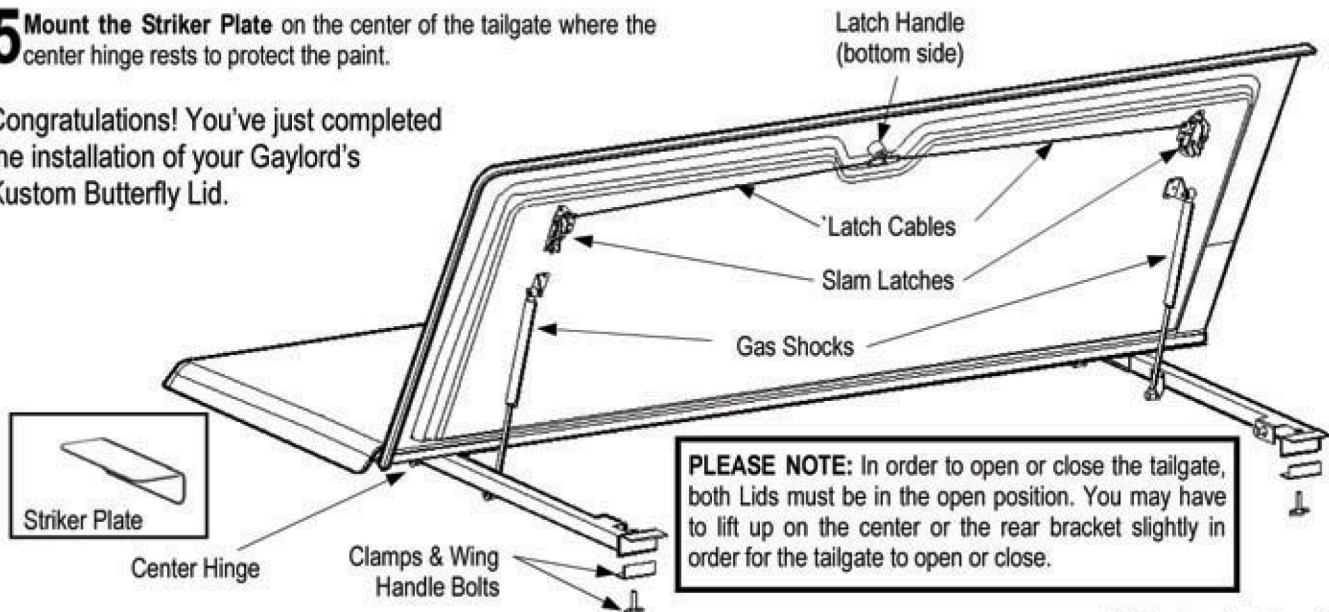
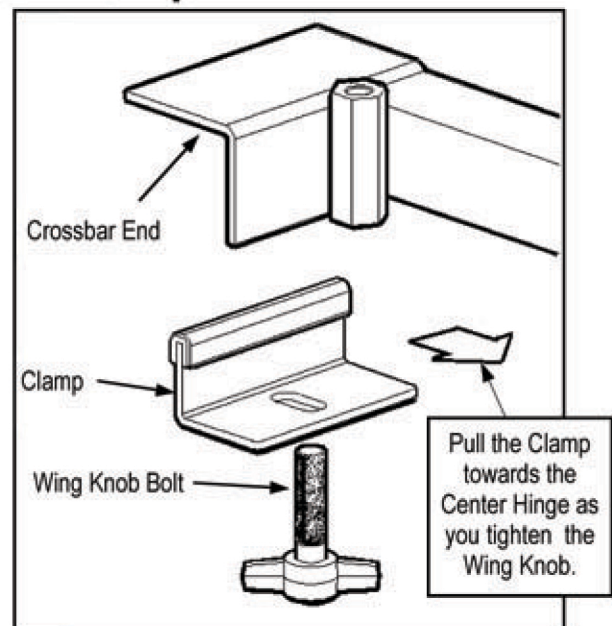
2 Butterfly Lid Installation. Make sure the Crossbars fit inside the bed before setting the Lid on the truck. The distance from one Clamp End to the other should be less than the inside width of the truck bed. Open the tailgate and set the Butterfly Lid Assembly on the truck. Adjust the Lid Assembly so the Lid extends evenly all the way around the truck bed.

3 Clamp the Butterfly Lid in place. Go inside the truck bed and place the Clamps back on the Crossbars. DO NOT tighten the Wing Knob Bolts at this time.

4 Final adjustments & Clamp tightening. Have another person open and close the lid. Make sure all Latches are lined up. Adjust as needed. Pull the Clamps towards the Crossbar Ends and firmly tighten all four wing bolts.

5 Mount the Striker Plate on the center of the tailgate where the center hinge rests to protect the paint.

Congratulations! You've just completed the installation of your Gaylord's Kustom Butterfly Lid.



© Gaylord's, Inc. 2000