



Gaylord's Tech Department is constantly making the best better, here are some common hardware renderings which might be slightly different upon arrival. For ANY installation questions please email us Customerservice@gaylordslids.com

G1

please visit us on the web for any additional Info @ WWW.GAYLORDSLIDS.COM

Installation Instructions for 68-72 El Camino

Gaylord's would like to thank you for your custom lid purchase. We greatly appreciate the sale and strive to produce top quality custom bed covers for your custom classic!

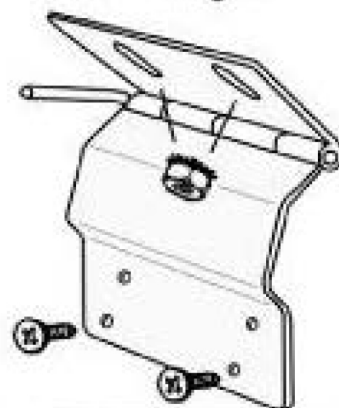
WARNING: If you are not familiar with the use of hand tools or are not accustomed to working on motor vehicles, have a dealer or accessory shop install the Kustom Lid. Carefully read all the instructions prior to attempting to fit the Lid. Before fitting the Lid, park the vehicle on level ground in a well lit area and apply the emergency brake. After installation, check that the Lid works correctly and securely locks shut. Periodically check all fasteners for tightness. Retighten only the loose fasteners. When using power or hand tools, always wear the correct protective clothing recommended by the tool manufacturer.



(2) 20x80 Lb shocks



(2) Front Hinges



(2) Shock Mount



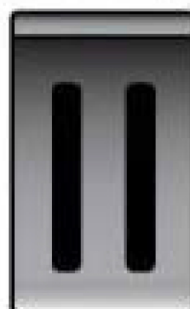
(8) Flat Head Screws (Hinges)



(22) Self Tappers (Shock mounts, Striker)



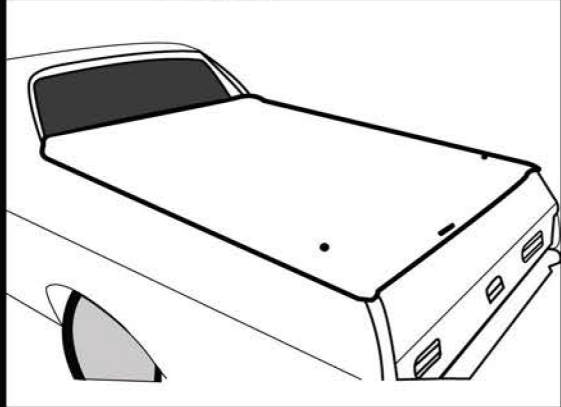
(2) Striker Bracket



PART# 11015

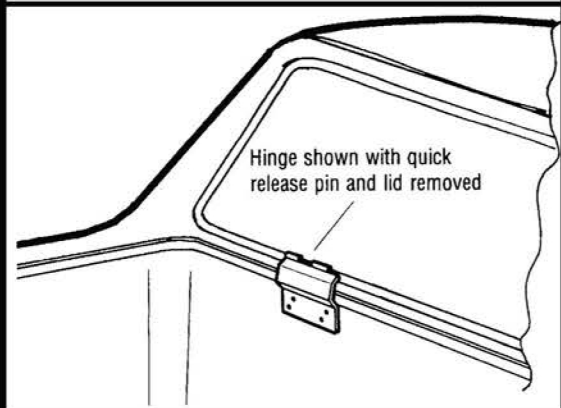
Installation Instructions. 68-72 El Camino

Visit our Site for any Additional Info @ WWW.GAYLORDSLIDS.COM



Square The Lid Up On The Bed

- This should be installed prior to installing the Drain Trough on Page 3
- Set the lid on the truck and square it up to your preferences, the lid should sit about 1/4" from the tailgate. There will be a slight gap at the front, which will allow water to fall from the lid into the drain trough when the lid is opened.

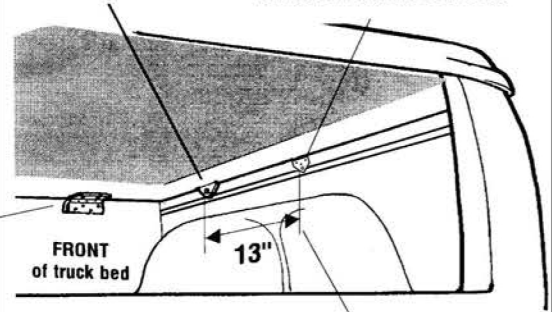


Drilling In The Front Tabs

- With the help of another person position the lid on the truck bed as desired. Lift the lid carefully and open up the tailgate lowering the lid back to the exact same spot. With a flashlight crawl into the bed, loosen the nuts securing the hinge to the lid moving them so they are snug and square against the truck bed. Tighten the nuts back up once the correct position is achieved. You can mark the holes with a china marker, pull the lid off and mount just the hinge plate and set the lid back on, or drill it in place while your under the cover. We suggest drilling two screws on each side and then cycling the lid up and down to verify all adjustments before installing the remaining screws.

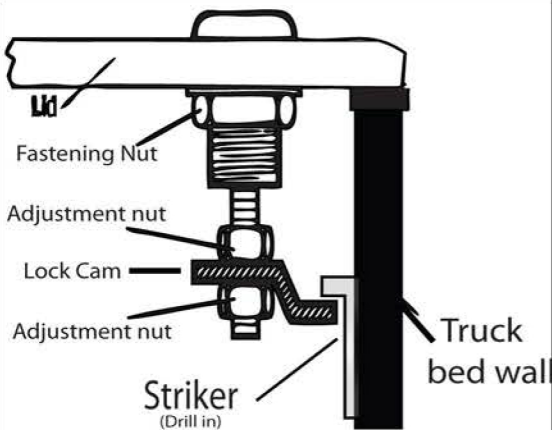
Lid Shock Mount

Shock Mount On Bed



Installing The Shock Mount

- Measure back 13" from the shock mount on the lid (towards tailgate) make a small mark on the bed of the location to mount the shock. Lift the lid open (prop it up with a stick) and drill in the shock mount to the bed side where you have previously marked.



Drilling Striker Bracket Into Bedside

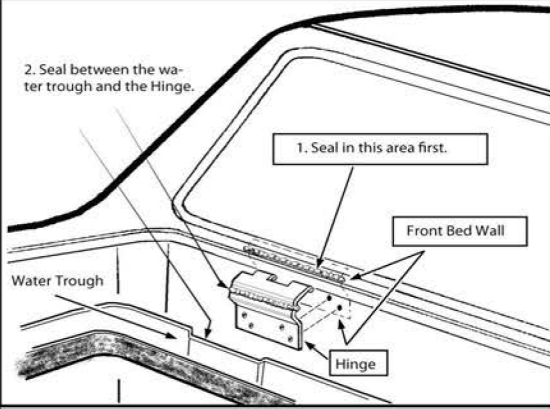
- Once the lid is installed properly you must now install the strikers. Assemble the lock as shown and use it to determine the best place to mount the striker. Normally its at the top of the bed side. The one in the illustration to the left could be slightly lower then where they need to be. The black self tappers are the suggested.
- Your finished! Enjoy your beautiful new Gaylord's lid and please periodically check the hardware to ensure everything stays tight.

Installation Instructions. 68-72 El Camino

Visit our Site for any Additional Info @ WWW.GAYLORDSLIDS.COM



The drain location might vary slightly, please use this as a guide to help ease the install.



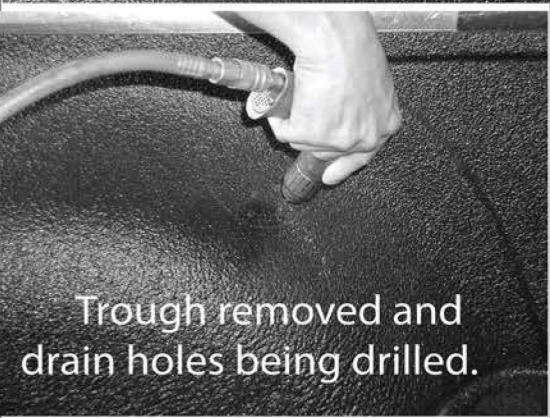
1 Installing The Drain Trough to The Bed.

Once the lid has been properly installed onto the truck, remove the lid by pulling out the cotter pin holding the lid plate to the bed hinge. Once this is removed the lid comes right off. Step 2 shows how to mark the location of the drain prior to removing it the hinge. Once the proper location of the trough is determined, carefully remove the hinge bolted to the bed and apply a good amount of sealant between the hinge and the bed. You will also be applying sealant between the trough and the hinge once completed.



2 Determining The Location of The Drain.

This photo is showing how to mark the exact location of the drain trough on the bed so when you remove it drilling the holes will be easy and pre marked.

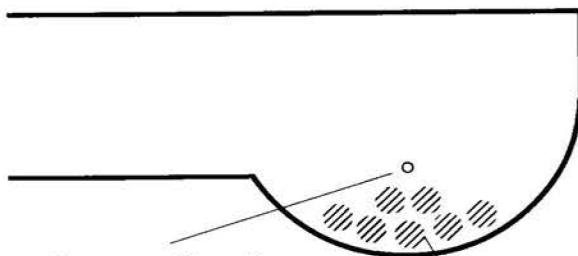


3 Trough Removed Drilling Drain Holes

Once the trough is removed drill 7 holes into the fender well starting about 3/4". You can use the illustration at the bottom as a guide. Once this is completed install the drain onto the bed with the self tapping sheet metal screws. There is a pre started spot on each drain pocket for a 3.5" self tapper.

4 Sealing The Drain Trough!

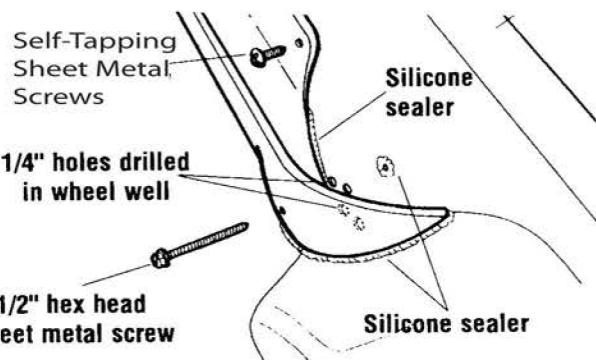
You may now seal the trough to the bed with BLACK sealant. We suggest applying it around the bottom of the trough all the way around and around the inside edge.



Approx. position of hole for 2 1/2" long sheet metal screw

Approx. position of 1/4" drainage holes drilled in wheel well

Side view of Rain Gutter



2 1/2" hex head sheet metal screw

View of Rain Gutter from above